

Gleitlager und Metallverarbeitung GmbH Osterwieck



Maintenance-free plain bearings for the production of plain bearings without the use of lubricants

Maintenance-free plain bearings

The most different forms of bearings can be manufactured by individual cuts and by special punched and bending processes. The adhesion with different materials and the excellent deformability increase considerably the possibilities of the material.

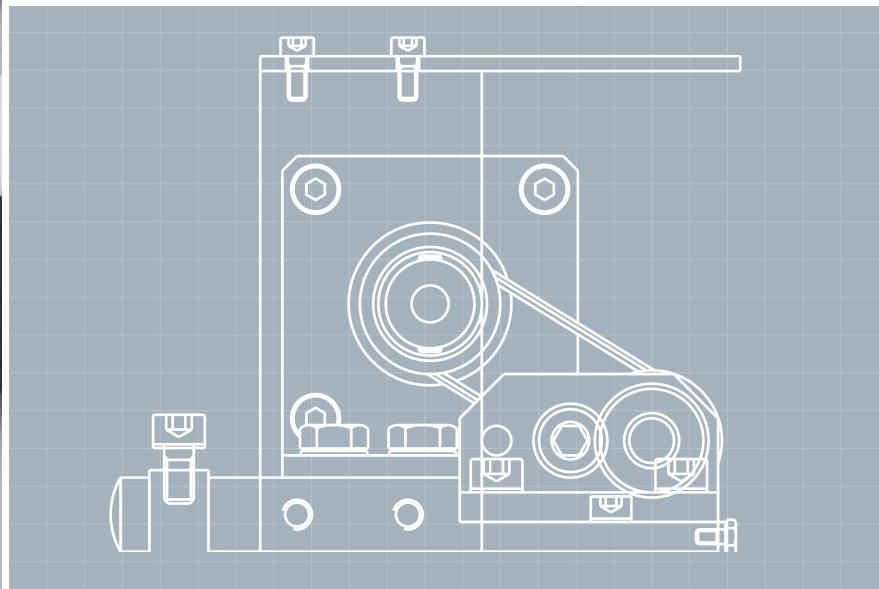
MATERIALS

- fabric foils made of stainless steel / bronze with PTFE-compound.
- as composite material with steel, stainless steel or aluminium backing.
- adhesive possibilities with the most different materials.
- in connection with alternative materials as a substitute for steel composite bearings.

TYPES OF BEARINGS

- half-shells with / without collar
- bearing bushes with / without collar
- thrust bushings separated / unseparated
- linear gliding surfaces
- form parts in various versions





Excellent possibilities of application in the area of façade and steel construction as well as in the field of fittings engineering

Maintenance-free plain bearings

The maintenance-free plain bearings feature a minimal stick-slip value because of their low friction values. A free of clearance assembly in the bearings is possible. The connections are vibration-damping and noiseless during decoupling. An extremely good corrosion resistance enables an application in all climate zones.

CHARACTERISTICS

- high load-carrying capacity
 - dynamic up to 200 N/mm²
 - static up to 400 N/mm²
- low friction value
- excellent deformability
- very high-wear resistance
- heat resistance approximately -200 ° - +250 ° C
- corrosion resistant

Contact

Gleitlager und Metallverarbeitung GmbH Osterwieck | Ziegeleiweg 3 | 38835 Osterwieck
Phone: +49(0) 39421/61970 | Fax: +49(0) 39421/6197-130 | Email: info@gmo-gleitlager.de

